

73001

SPECIFICATION SHEET

Description:

Single lamp vanity with white cylinder opal glass encased with a glass cylinder. Can be mounted upward or downward.

Metal Finish(es):

BN - Brushed Nickel

Shade Colour(s):

Clear and White Opal Glass

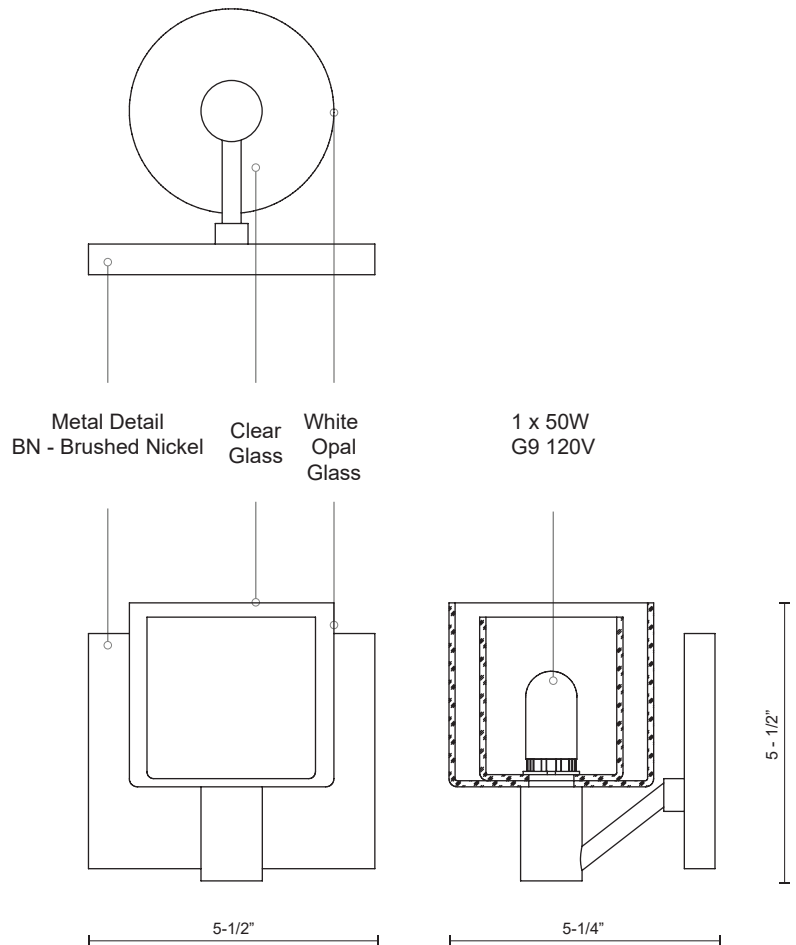
Lamping:

1 x 50W, G9, 120V

PROJECT:	
DATE:	TYPE:



73001 BN



73001 BN